
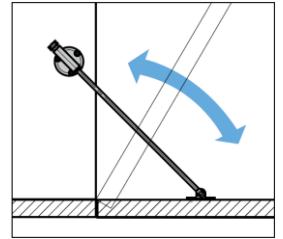
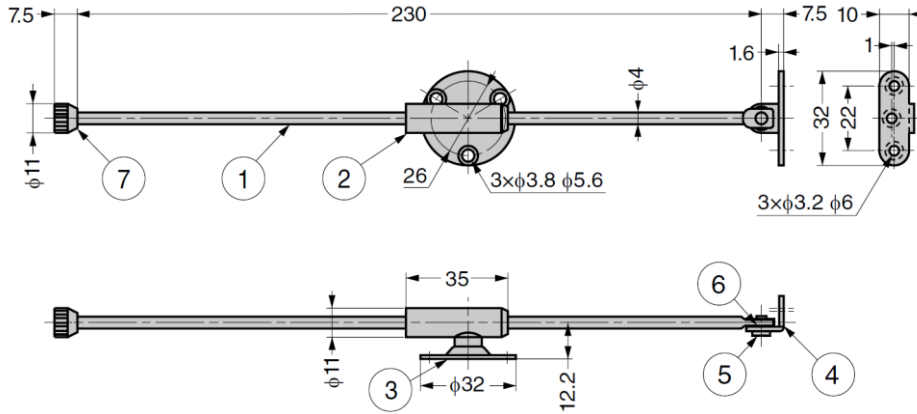


## GS-35 Lid Stay

Downward opening

Opening Direction	Description
 Downward-opening	Non-handed



No.	Part Name	Material	Finish/Colour
①	Arm	Steel (SWRM)	Chrome
②	Arm Guide	PA	Brown
③	Bracket	Steel (SPCC)	Chrome
④	Bracket		
⑤	Shaft	Brass	Tin Cobalt Plating
⑥	N Washer	PA	Natural
⑦	Nut	Brass	Nickel

<b>Part No.</b>
<b>GS-35</b>